



Index

TOP WELDED CONNECTOR	2
SIDE WELDED CONNECTOR	3
TOP WELDED EXTENSION CORD	4
SIDE WELDED EXTENSION CORD	5
TOP WELDED CONNECTOR OPTIONS	6
POWER AND CONNECTION DIAGRAM	7
SYMBOLS	8

Welded Connector

We offer the unique possibility to provide liniLED® LED strips with a Welded Connector. The Welded Connector allows an immediate IP68 waterproof solution of the LED strip. The Connector is preassembled to the LED strip, so that it can be installed straight away.

The Welded Connector can be applied to the liniLED® Top and Side LED strips. Monochrome and Tunable White LED strips.

Benefits of the Welded Connector:

- IP68
- Frost, UV and cleaning agent proof
- Plug and play
- Fits in the mounting profiles of the LED strips

In order to power liniLED® products safely, it is absolutely necessary to operate them with an electronically stabilized power supply protected against short circuits, overload and overheating.

To ease the luminaire/installation approval, electronic control gear for liniLED® products should carry the CE mark. Preferably a controller from the liniLED® Control Range. In Europe, the declarations of conformity must include the following standards: CE: EN 55015, IEC 61547 and IEC 61000-3-2. For extra information about our products and the latest version of this datasheet, visit our website: www.liniLED.com



liniLED® Top Welded Connector

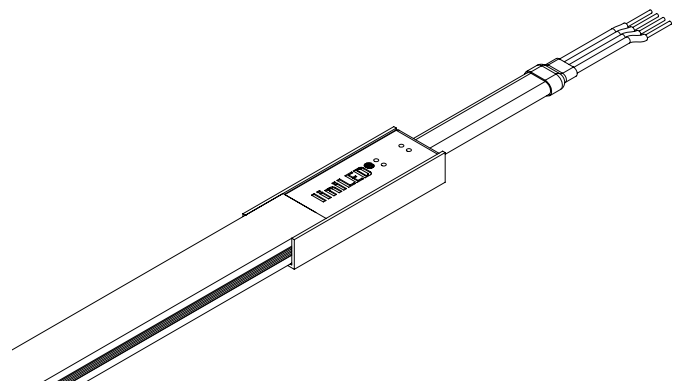
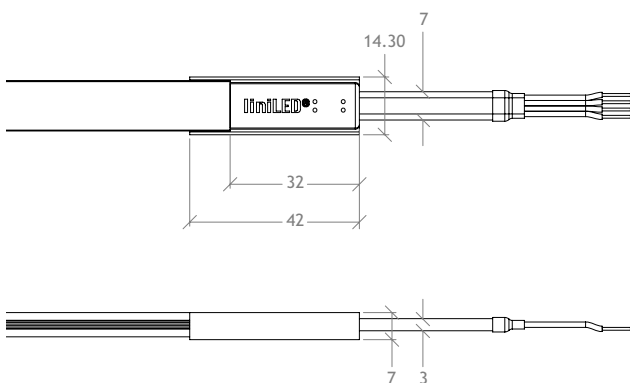


Technical specifications

Dimensions	L32 x W11.55 x H6 mm (without U-profile)
Cord length	1 m, 5 m
Degree of protection	IP68
Colour	White
Material	PVC

Product code	Description
12293	liniLED® Top Welded Connector 1 m
12294	liniLED® Top Welded Connector 5 m
Note	<p>The Connector and Mirror Welded End Cap will be preassembled to the product. Therefore article number TA1022, liniLED® labour Top/Side Welding Connection, will be added to your order.</p> <p>When ordering, please let us know how the product will be installed. We will advise you if the added u-profile needs to be removable (see page 6).</p>

Product drawings



liniLED® Side Welded Connector

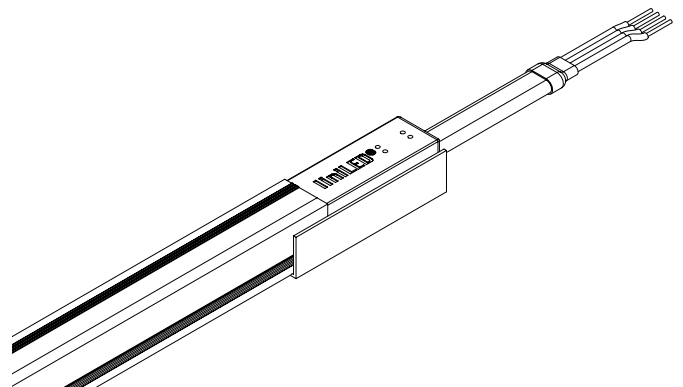
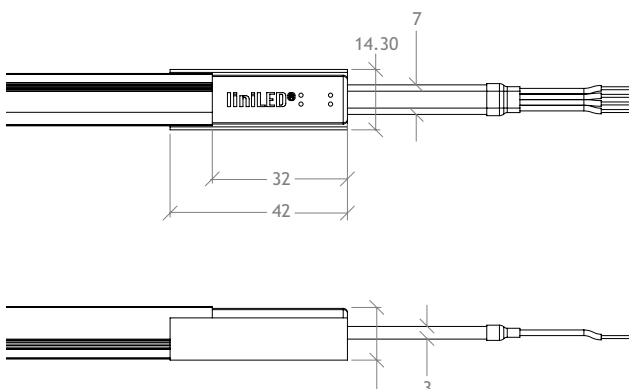


Technical specifications

Dimensions	L32 x W11.55 x H11.55 mm (without U-profile)
Cord length	1 m, 5 m
Degree of protection	IP68
Colour	White
Material	PVC

Product code	Description
12296	liniLED® Side Welded Connector 1 m
12297	liniLED® Side Welded Connector 5 m
Note	The Connector and Mirror Welded End Cap will be preassembled to the product. Therefore article number TA1022, liniLED® labour Top/Side Welding Connection, will be added to your order. When ordering, please let us know how the product will be installed. We will advise you if the added u-profile needs to be removable (see page 6).

Product drawings



liniLED® Top Welded Extension Cord



Technical specifications

Dimensions	L32 x W11.55 x H6 mm (without U-profile)
Cord length	0.3 m
Degree of protection	IP68
Colour	White
Material	PVC

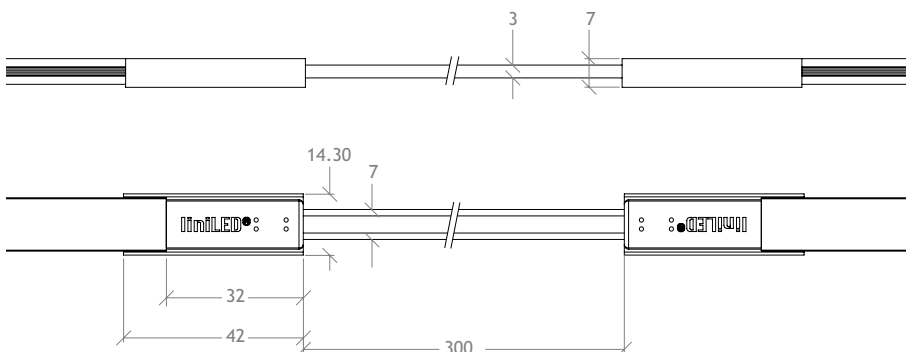
Product code	Description
--------------	-------------

12295	liniLED® Top Welded Extension Cord
-------	------------------------------------

Note The Connector and Mirror Welded End Cap will be preassembled to the product. Therefore article number TA1022, liniLED® labour Top/Side Welding Connection, will be added to your order.

When ordering, please let us know how the product will be installed. We will advise you if the added u-profile needs to be removable (see page 6).

Product drawings





Technical specifications

Dimensions	L32 x W11.55 x H11.55 mm (without U-profile)
Cord length	0.3 m
Degree of protection	IP68
Colour	White
Material	PVC

Product code	Description
--------------	-------------

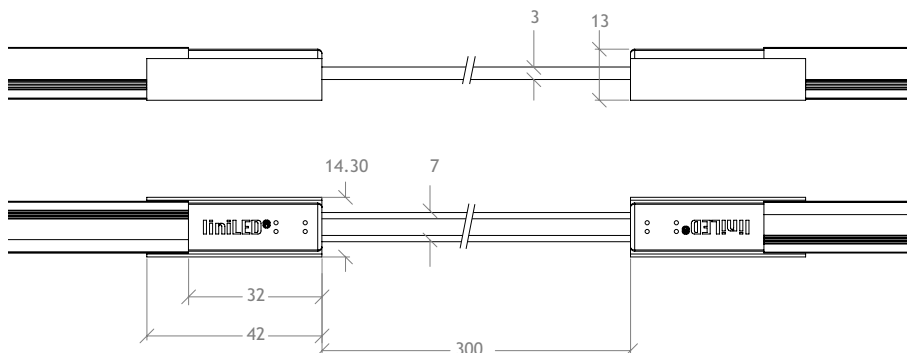
12298	liniLED® Side Welded Extension Cord
-------	-------------------------------------

Note

The Connector and Mirror Welded End Cap will be preassembled to the product. Therefore article number TA1022, liniLED® labour Top/Side Welding Connection, will be added to your order.

When ordering, please let us know how the product will be installed. We will advise you if the added u-profile needs to be removable (see page 6).

Product drawings



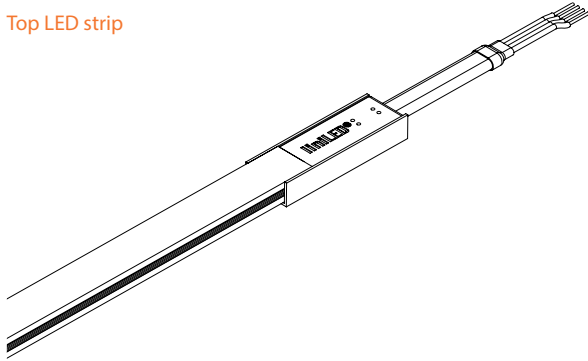
liniLED® Top Welded Connector options

The liniLED® Welded Connector is available in three options to fit your installation needs. These three options are visualised below.

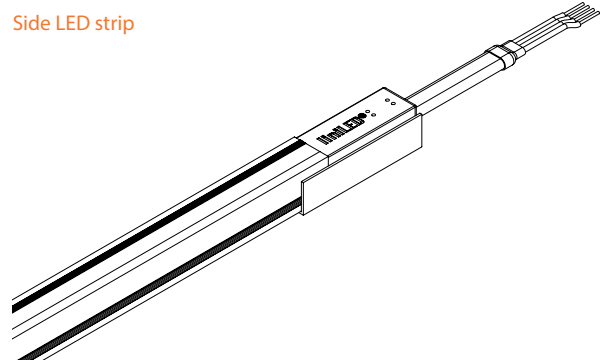
1 U-profile attached to connector

Including U-profile.

Top LED strip

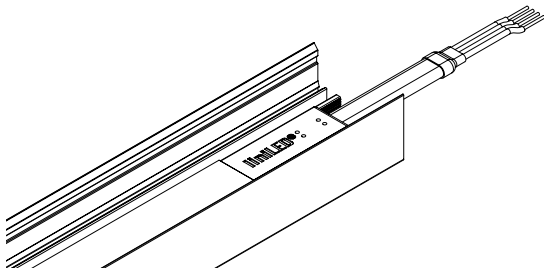


Side LED strip



2 Pre-installed in fixture

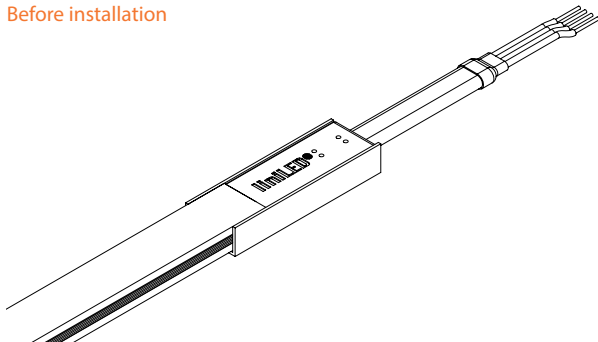
The liniLED® Welded Connector and LED strip are preinstalled in a fixture.



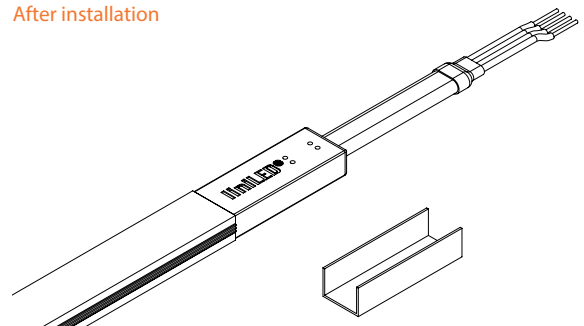
3 U-profile removable

The U-profile can be removed after installation, but this will void warranty.

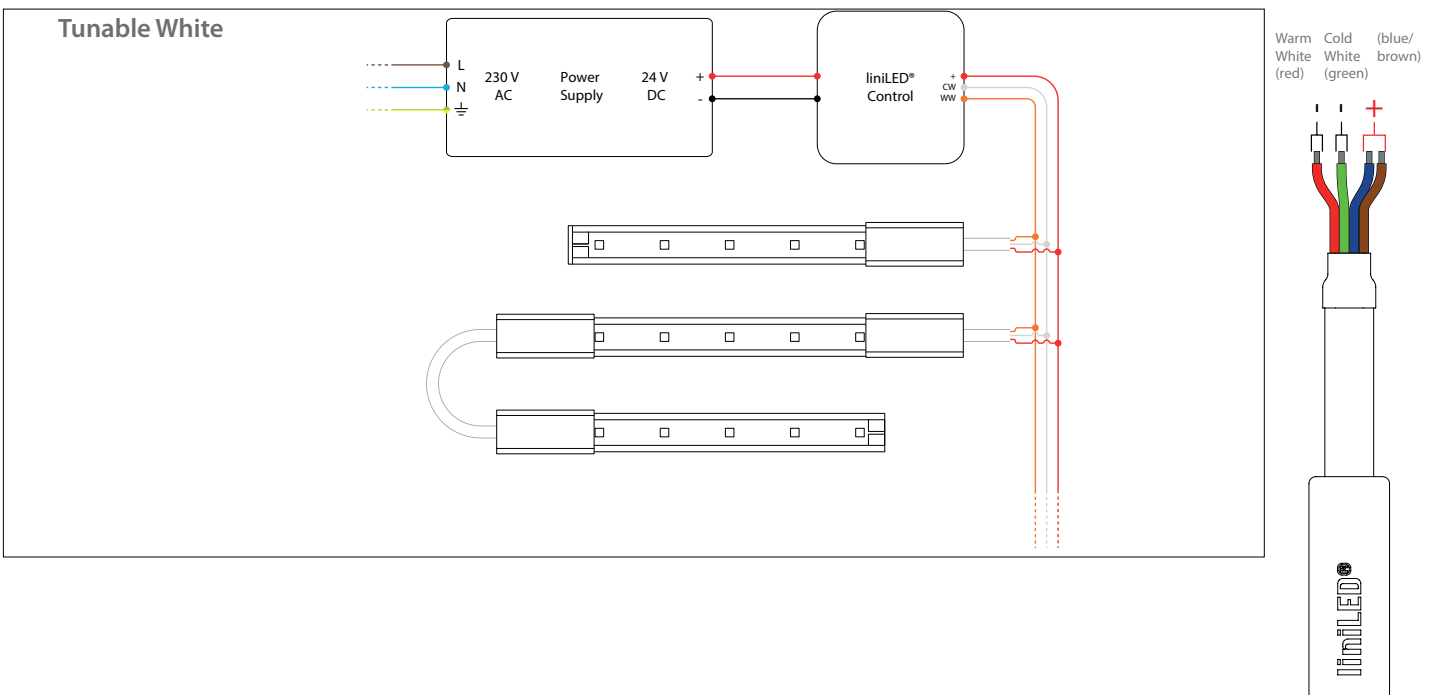
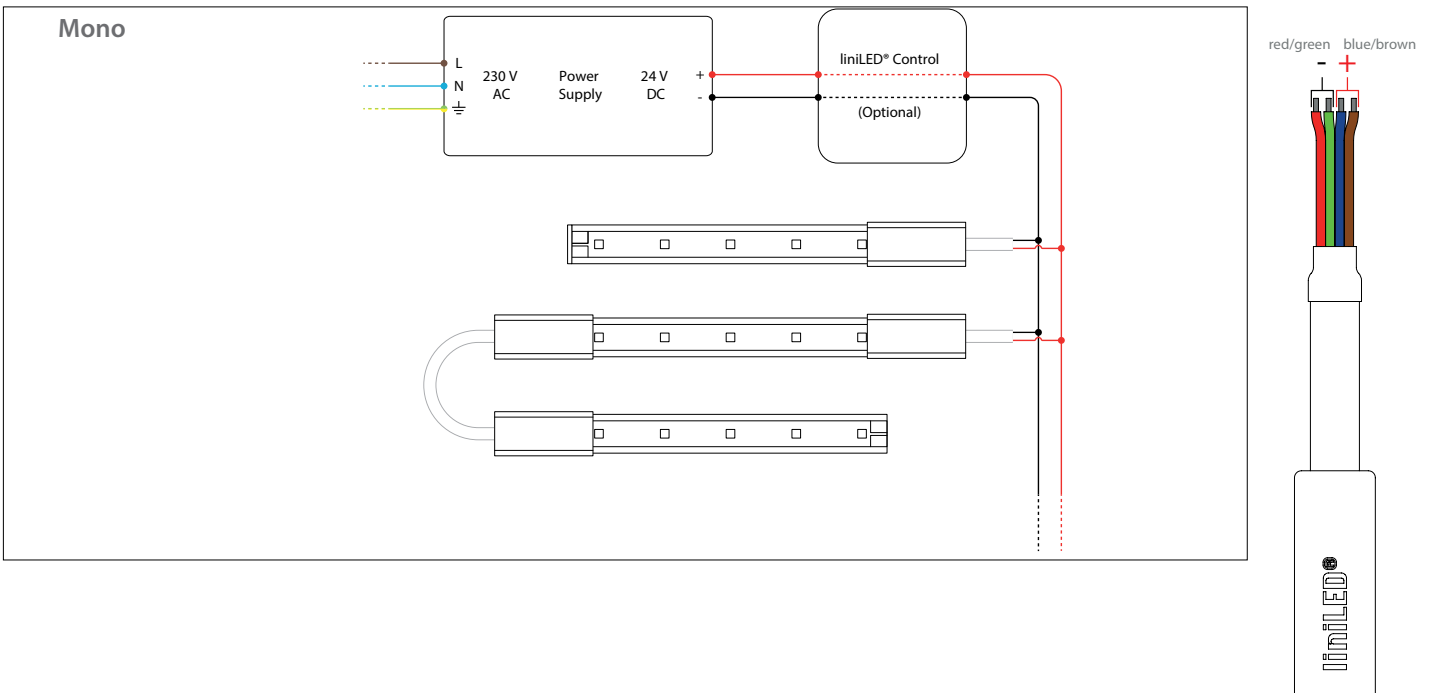
Before installation



After installation



Power and connection diagram



Symbols



Manufacturer's declaration that the product meets the applicable EC directives.



Restriction of Hazardous Substances (RoHS): product complies with the RoHS directive and each homogeneous material does not exceed the limits for the materials mentioned under the RoHS directive (Pb, Hg, Cd, Cr6+, PBB and PBDE).



Dust-tight, no ingress of dust. Protected against the effects of continuous immersion in water. (immersion in water at a maximum depth of 2 metres unless specified otherwise).



Product is resistant against ultraviolet (UV) light or sunlight. Non-UV resistant products can degrade or discolour fast when exposed to UV light.



Product can be cleaned with normal cleaning agents.



This product can be stored and used below 0 degrees Celsius. Verify the minimum storage and operating temperature in the datasheet or manual for the lowest temperature allowed.



This product can be applied in seawater and its environment. Elements in seawater will have no harmful effect on the product. For chemical specifications of these elements see the liniLED® material sheet. Verify the IP rating for proper use.



This product can be applied inside swimming pool environments. Elements in the air will have no harmful effect on the product. For chemical specifications of these elements see the liniLED® material sheet. Verify IP rating for proper use.



This product is available on request and can be applied submerged in swimming pools and their environment. Disinfectants will have no harmful effect on the product. For chemical specifications of these elements see the liniLED® material sheet. Verify IP rating for proper use.



System guarantee of 5 years when the complete system consist of liniLED® products with the 5 years system warranty logo. Terms & conditions apply.

Disclaimer

The published information is checked to be as accurate as possible, however Triolight B.V. or any reseller of liniLED® cannot be held liable for any damages resulting from misprints, errors, modifications or outdated information. No legal rights can be derived from this document. Triolight B.V. reserves the right to modify the information without informing the customers. Please check for the latest version on www.liniLED.com. This product should not be used in applications, devices or systems where incorrect operation of the product may result in personal injury (includes emergency lighting) without written permission from the board of Triolight B.V. If nevertheless used in such applications, devices or systems, Triolight B.V. cannot be held liable for any resulting injury. liniLED® is a registered trademark of Triolight B.V.